

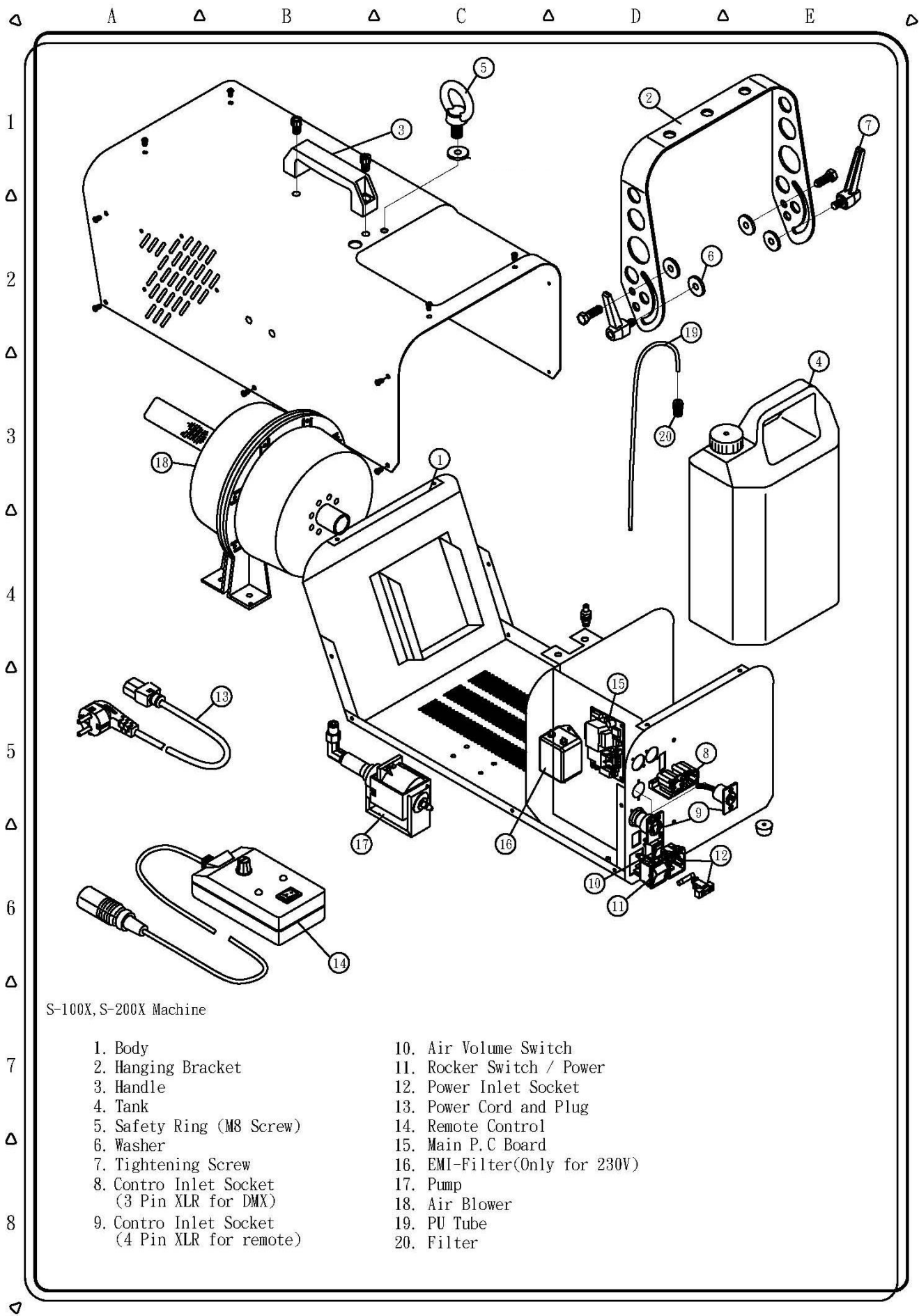


# S-100X / S-200X Snow Machine User Manual



English • Français • Deutsch • 中文

© 2014 Antari Lighting and Effects Ltd.



S-100X, S-200X Machine

- |  |                               |
|--|-------------------------------|
| 1. Body  | 10. Air Volume Switch         |
| 2. Hanging Bracket                               | 11. Rocker Switch / Power     |
| 3. Handle  | 12. Power Inlet Socket        |
| 4. Tank  | 13. Power Cord and Plug       |
| 5. Safety Ring (M8 Screw)                        | 14. Remote Control            |
| 6. Washer  | 15. Main P.C Board            |
| 7. Tightening Screw                              | 16. EMI-Filter(Only for 230V) |
| 8. Contro Inlet Socket<br>(3 Pin XLR for DMX)    | 17. Pump                      |
| 9. Contro Inlet Socket<br>(4 Pin XLR for remote) | 18. Air Blower                |
|  | 19. PU Tube                   |
|  | 20. Filter                    |

# **S-100X** SNOW MACHINE / **S-200X** SILENT SNOW MACHINE

## **User Manual**

### **Antari S-100X & S-200X Snow Machine**

#### **Introduction**

Thank you for choosing an ANTARI Special Effects Machine. You now own a rugged and powerful state-of-the-art machine. Prior to use, we suggest that you carefully read all of the instructions. By following the suggestions found in this user manual, you can look forward to the reliable and satisfactory performance of your ANTARI S-100X & S-200X Silent Snow Machine.



#### **CAUTION**

#### **DANGER OF ELECTRIC SHOCK!**

**Keep this device away from rain and moisture!**

**Never open the housing!**

- ☐ Keep this device dry.
- ☐ For **indoor** use only. Not designed for outside use.
- ☐ **Use a grounded electrical outlet only.** Prior to use take care to determine that the unit is installed at the rated voltage.
- ☐ Always unplug your ANTARI Snow Machine before filling its tank.
- ☐ Turn off or unplug when not in use.
- ☐ This machine is not **water or splash proof**. If moisture, water, or snow liquid gets inside the housing, immediately unplug the unit and contact a recommended service technician or your ANTARI dealer before using it again.
- ☐ There are no user-serviceable parts inside. Refer to your ANTARI dealer or other qualified service personnel.
- ☐ For adult use only. This machine must be installed out of the reach of children. Never leave the unit running unattended.
- ☐ Never aim the output nozzle directly at people or animals.
- ☐ Locate the machine in a well-ventilated area.



#### **DANGER OF BURNING!**

**Never touch the device during the operation!**

- ☐ Never add flammable liquids of any kind (oil, gas, perfume) to the snow liquid.
- ☐ Pay attention to all warning labels and instructions printed on the exterior of your **ANTARI**

### S-100X & S-200X Snow Machine.

- ☐ Use only the high-quality snow liquid that your dealer recommends.
- ☐ Always make sure there is sufficient liquid in the machine's liquid tank.
- ☐ If your ANTARI machine fails to work properly, discontinue use immediately. Drain all liquid from the tank, pack the unit securely (preferably in the original packing material), and return it to your ANTARI dealer for service.

## Unpacking & Inspection

Open the shipping carton and verify that all equipment necessary to operate the system has arrived intact.

If any equipment is missing contact your ANTARI dealer immediately.

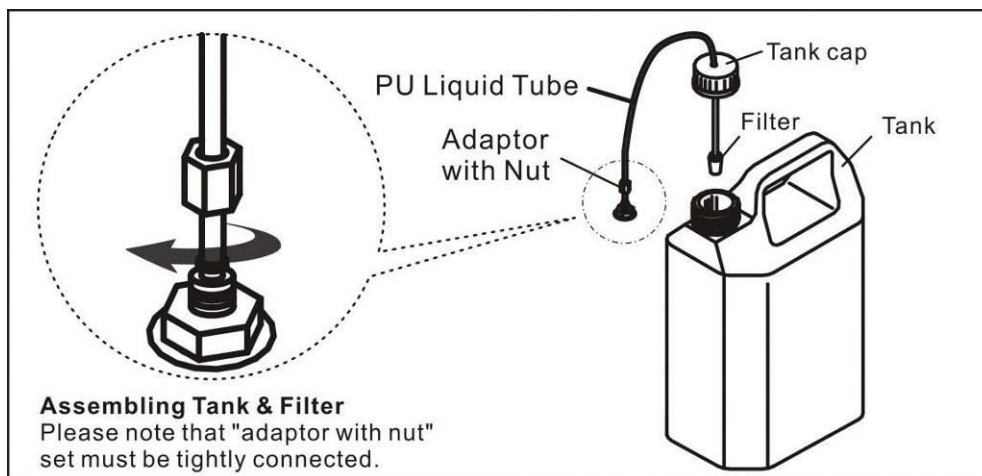
### The shipping carton should contain the following items:

1. Snow machine with power cable
2. SC-2 volume remote controller
3. Fluid tank
4. Hanging bracket
5. Screw set and user manual

Before beginning your initial setup of the ANTARI S-100X & S-200X Snow Machine, make sure that there is no evident damage caused by transportation. In the event that the unit's housing or cable is damaged, do not plug it in and do not attempt to use it until after contacting your ANTARI dealer for assistance.

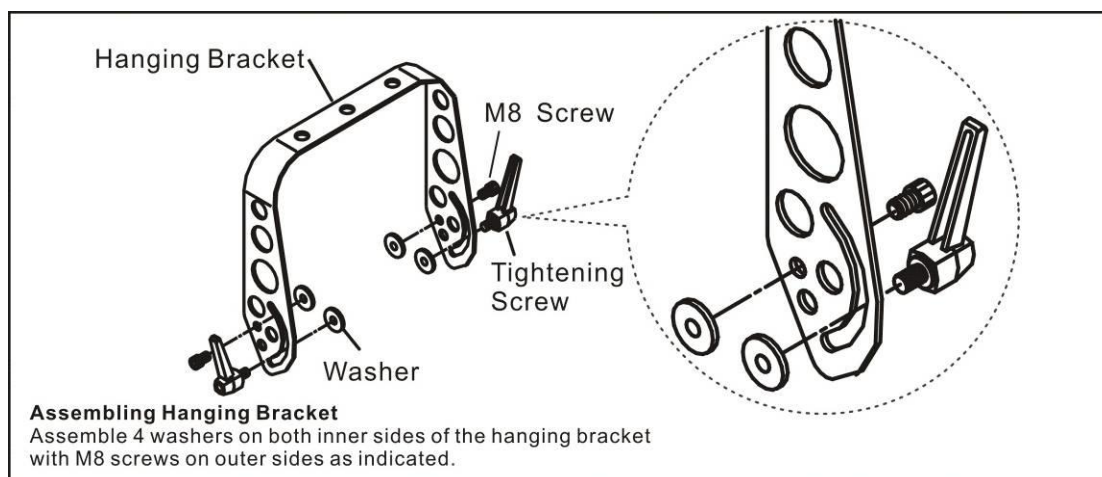
## Setup

1. Remove all packing materials from shipping box. Check that all foam and plastic padding is removed.
2. Place the machine on a flat surface and follow the steps below.



3. Assemble the hanging bracket on the machine, use the M8 screws to position the hanging

bracket with the machine, the tightening screws are for adjusting the machine's angle when in the air.



4. Fill with ANTARI SL-5 Snow Liquid, ANTARI SL-5A Premium Snow Liquid or other **high-quality, water-based snow liquid recommended by your dealer**. Any other types of fluid can damage the unit. When filled, place cap back on liquid tank.
5. Firmly attach the 4-pin connector on the remote control cable to the proper input on the rear of the machine.

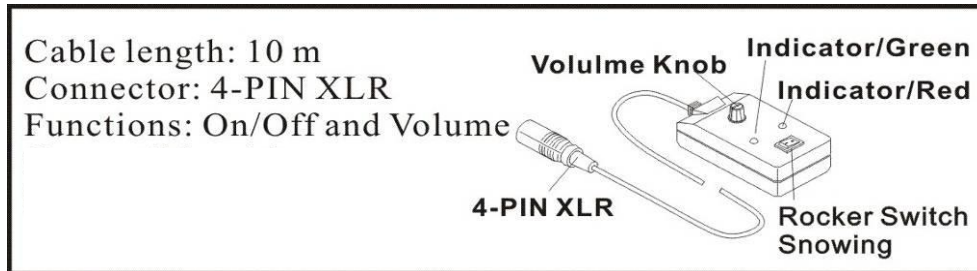
## Installation Note

1. **The snow machine may be installed at floor level or suspended overhead. It is best suggested to mount the machine up high. When mounting the unit overhead, please make sure that it is secured with a safety bond looped through the safety ring.** Whatever installation method you choose, do not allow the unit to have **more than** a 15 degree angle of inclination.
2. It is important that the snow does not shoot directly at anyone's face.
3. Always monitor tank fluid level during operation. Running a snow machine without fluid can permanently damage the unit. If you experience low output, mechanical noise or no output at all, unplug immediately. Check fluid level, the external fuse, remote connection, and power from the wall. If all of the above appears to be fine, plug the unit in again. If snow does not come out after holding the remote ON/OFF button **down**, check the hose attached to the tank to make sure there is fluid going through the hose. If you are unable to determine the cause of the problem, do not simply continue pushing the remote button, as this may damage the unit. Return the machine to your Antari dealer.

## Operation

1. Plug the power cable into a grounded electrical outlet.

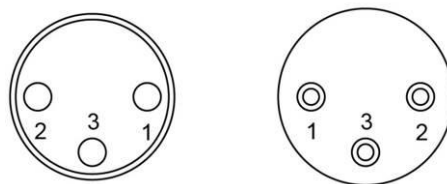
- Turn on the machine by pressing the red power switch on the rear of the unit and make sure the red **indicator that is located above the Power switch is lit**.  
The units can be controlled by either DMX or the SC-2 volume remote control. See the respective topics below:
- Connect the remote control's male 4-pin plug to the machines' INPUT socket and make sure the red "POWER" indicator is lit.



- Press ON/OFF button, the IN USE indicator lights up green and the machine is ready to operate (during this procedure, the machine's fan and motors are operating).
- Use the adjustable knob "OUTPUT VOLUME" on the SC-2 Volume Remote controller to set an output value between 10% and 100%.
- There's a smaller button "AIR VOLUME" located at rear of the machine used for adjusting the fan output volume. In general, when the fan output is increased the **snowflakes** produced are smaller. In contrast, when the fan output is decreased, bigger **snowflakes** will be produced. However, the snow output volume will not be affected.

## DMX Connector Pin Assignment

The **machine provides a 3-pin XLR** connector for DMX connection. The diagram below indicates pin assignment information.



**3 Pin XLR**

Pin	Function
1	Ground
2	Data-
3	Data+

## DMX Control

- Connect the DMX cord to the DMX IN socket on the rear of the machine.
- Test the system by activating the snow system's selected DMX channel. When the channel value is increased the snow machine should produce snow at a steadily increasing rate. The unit is OFF when a value between 0-5 is selected. It will reach 100% output once the channel is set to 255.

### DMX Protocol

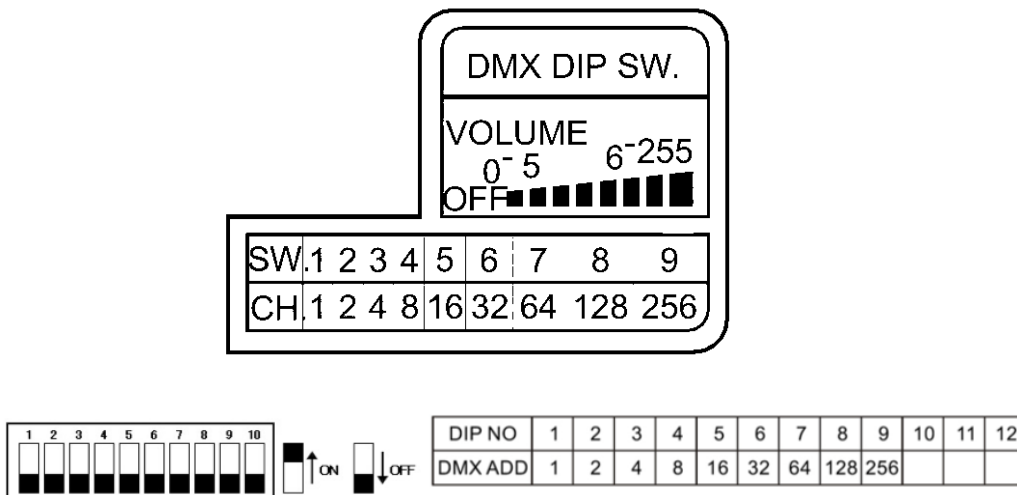
DMX VALUE	
0-5	OFF
6-255	ON

- Addressing:

Each device occupies 1 channel. To ensure that the control signals are properly directed to each **device**, they require addressing. This is to be adjusted for every single device by changing the DIP switches as set out in the table below.

The starting address is defined as the first channel from which the device will respond to the controller. Please make sure that you do not have any overlapping channels in order to control each device correctly and independently from any other fixture on the DMX data link. If two, three or more devices are addressed similarly, they will work similarly.

## DMX Address Setting



## Dip Switch Corresponding Chart

Channel No.	1	2	4	8	16	32	64	128	256
Dip Switch	1	2	3	4	5	6	7	8	9

Example 1: Set DMX starting address to 69

Dip switch # 7 = 64 channel

Dip switch # 3 = 4 channel

Dip switch # 1 = 1 channel

Total = 64 + 4 + 1 = 69 channel

Ch	ディップ スイッチ設定						
1		19		37		55	
2		20		38		56	
3		21		39		57	
4		22		40		58	
5		23		41		59	
6		24		42		60	
7		25		43		61	
8		26		44		62	
9		27		45		63	
10		28		46		64	
11		29		47			⋮
12		30		48		128	
13		31		49			⋮
14		32		50		256	
15		33		51			⋮
16		34		52		512	
17		35		53			
18		36		54			



## Maintenance

1. Do not allow the snow liquid to become contaminated. Always replace the caps on the liquid container and the snow machine liquid tank immediately after filling.
2. Before storing away after each operation, rinse the system with pure water and let it pump for at least 1 or 2 minutes. This step helps to ensure a longer life span of the motor and the nozzle.
3. It is strongly recommended to regularly clean **the dust/residue** around **the machines'** vent holes (on both sides of the machine). Simply use a small brush, a toothbrush for example, and gently brush in the direction from top to bottom. This step helps to ensure that minimal debris will get into the machine or causes clogging.

## Snow Liquid

Depending on the desired effect, use either ANTARI SL-5 Snow/Foam Liquid for normal snow or ANTARI SL-5A Snow Liquid for fast-dissipating snow.

## Technical Specifications

MODEL	S-100X & S-200X
Power Supply	100/120V AC, 230/240V AC, 50/60Hz
Motor	770W (min. output), <b>1000W</b> (max. output)
Output Volume	180ml/min
Tank Capacity	5 liters
Fluid Consumption Rate	5.5 min/ <b>liter</b> ( <b>100%</b> output)
Weight	11 kg
Dimensions (LxWxH)	L505 W276 H280 mm
Remote Included	SC-2
10 Meter Remote Extension	EXT-6
DMX	On-board
Warm-up Time	N/A

**Save these instructions.**



For current product information visit Antari at: [www.antari.com](http://www.antari.com)  
For information requests please contact us at: [sales@antari.com](mailto:sales@antari.com)



C08S20X01

[www.antari.com](http://www.antari.com)